

STOP LOG / STOP BOARD

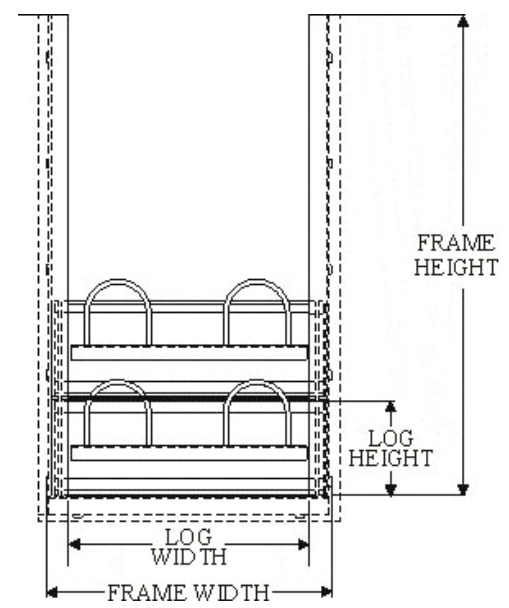
A PROJECT:
 ITEM #:

QTY OF **FRAMES** REQ'D → W X H

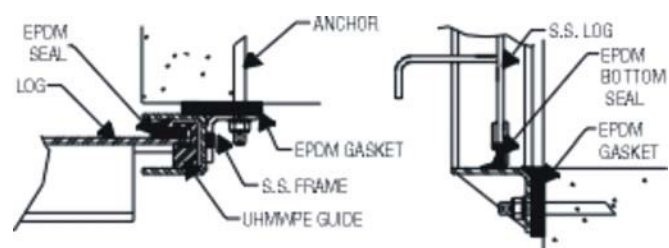
MATERIAL : 304 L SS
 316 L SS
 ALUMINUM
 OTHER:

QTY OF **LOGS** REQ'D → W X H

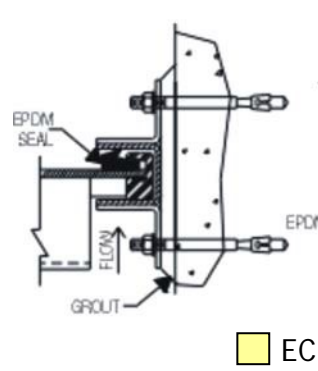
MATERIAL : 304 L SS
 316 L SS
 ALUMINUM
 OTHER:



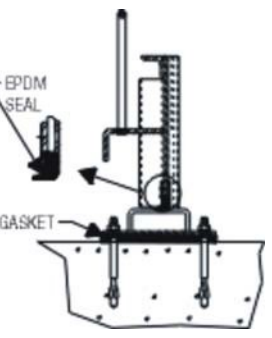
B MOUNTINGS



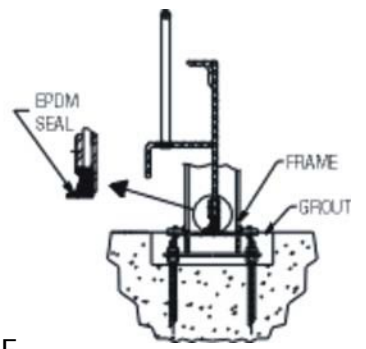
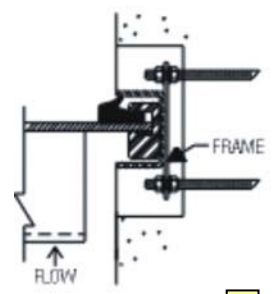
CW



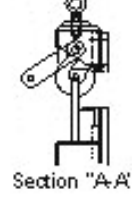
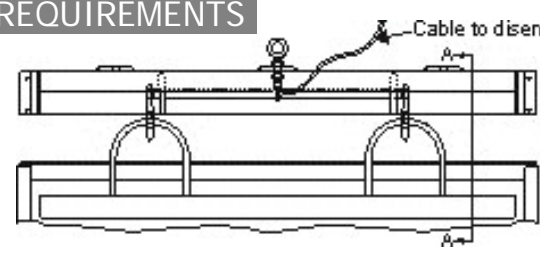
EC



FE



C HOIST REQUIREMENTS



LIFTING DEVICE REQUIRED

D REMARKS